

USER INSTRUCTIONS

GENERAL

ATTENTION

Thank you for purchasing this product.

Please read the following important information regarding installation safety, operating the product and maintenance instructions. Keep this information booklet accessible for further consultations. The appliance has been designed for use in a ducting version (air exhaust to the outside) and a recommended 2 – 4 burner cooker hob.

To avoid unexpected drop of range hood, pls drive a M4*16 screw through the center round hole on the hanger.

If you find any abnormality with the product, please contact the retailer or agent you've purchased from.

We would like to advice that all installation and after sales service repairs should be carried out by certified electricians or our authorised contractors.

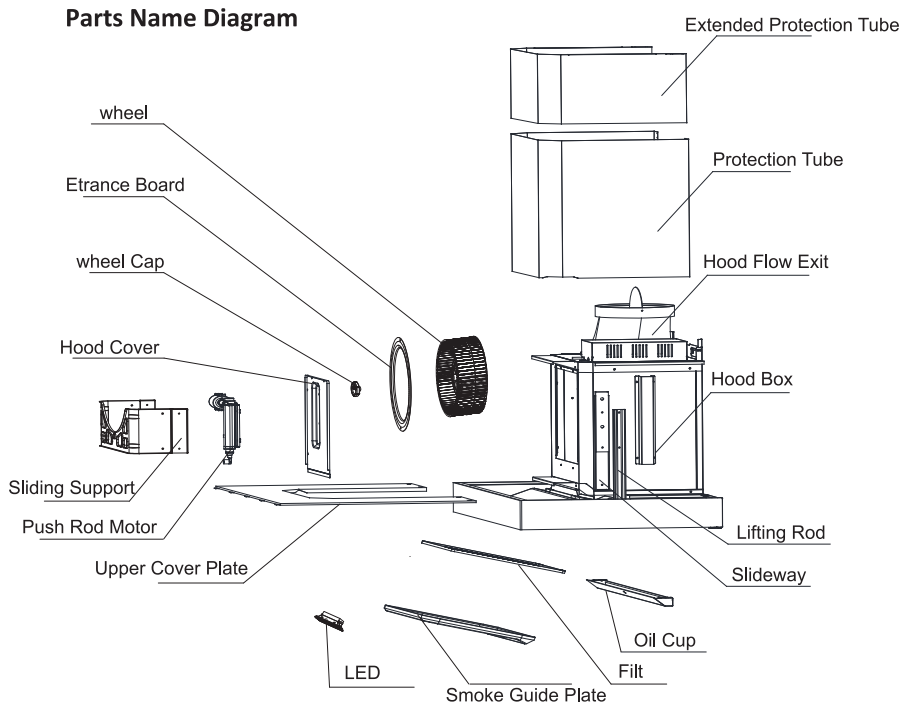
CONTENTS

PAGE NUMBER

Accessories & Packing List	1
Parts Name Diagram	1
Electrical Circuit Diagram	2
Main Technical Parameter	3
Installation Diagram.....	3
Installation Steps.....	4
Safety Instructions.....	6
Oprating Instructions.....	6
Cleaning and Maintenance.....	7
Detachable Parts.....	8
Troubleshooting.....	9

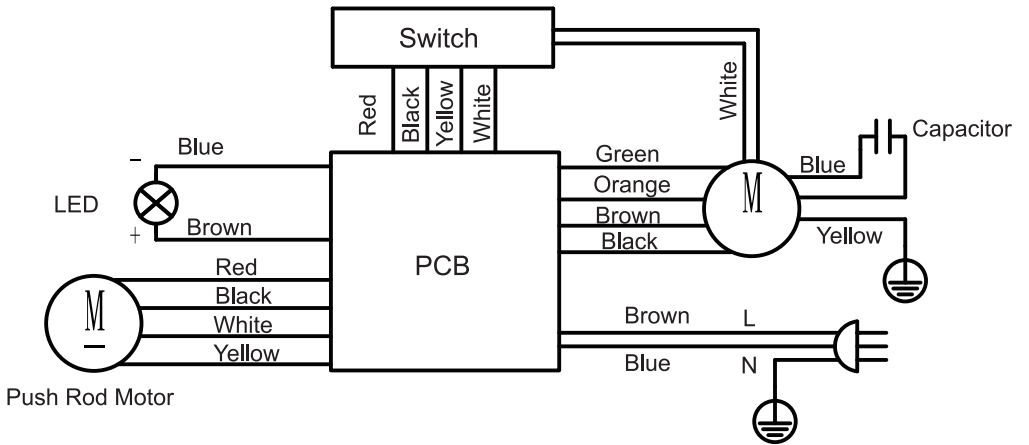
Accessories & Packing List

1. Range Hood x 1 unit
2. User Instructions manual x 1 pc
3. Flow Exit x 1 pc
4. Flow Exit seal x 1 pc
5. Oil clection container x 1 pc
6. Flexible exhaust duct x 1 pc



Electrical Circuit Diagram

■ C-Elite90



Main Technical Parameter

Model No	C-Elite90	C-Elite90	C-Elite90
Rated Voltage	220V~		
Rated Power	50Hz		
Max Airflow	20m ³ /min)		
Max Noise Level	67dB		
Max Pressure	400Pa	820Pa	
Standard Pressure	300Pa	600Pa	
Lighting	≤4W		
Motor Capacity	230W		
Tot.Absorption	234W		
Product Size	895X520X655(mm)		895X515X655(mm)
N.G	30kg	30kg	31kg

installation diagram

IMPORTANT Installation must be carried out by our registered contractors.

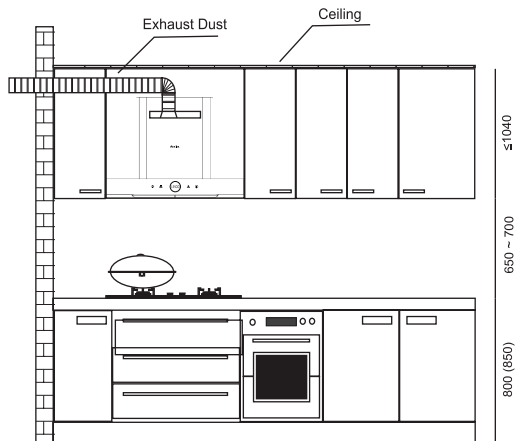
1) Installation Height

Minimum height from the hob surface to the underside of range hood:

- 350 mm for electric hob
- 400 mm for gas hob

*If the instruction for the gas hob installation specified a greater distance, this has to be taken into account

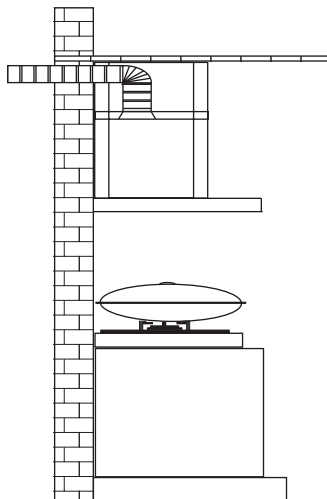
NOTE: Any installation above 700mm will compromise the performance of this range hood.

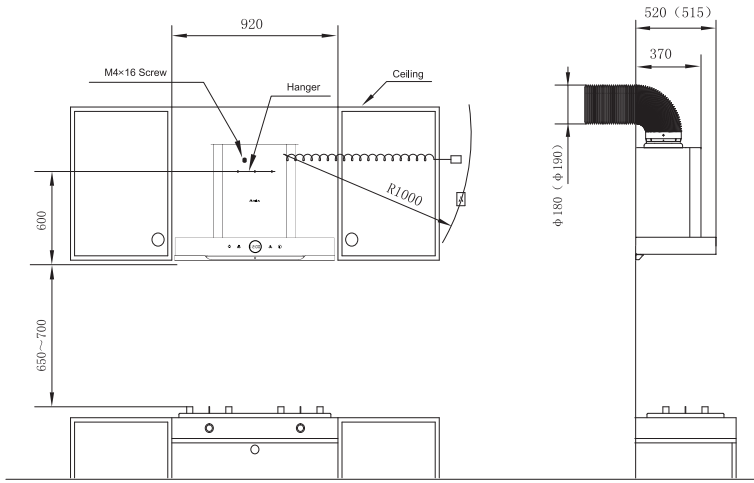


If the ceiling is low and hood is installed without extended chimney, there should be at least 3cm gap between the ceiling and chimney.

2) Exhaust Duct

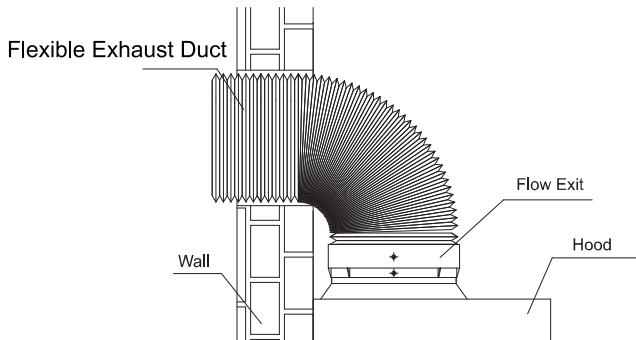
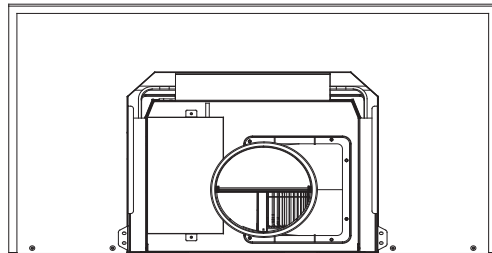
The length of the exhaust duct should be minimised to avoid air turbulence inside the duct





Installation sequence

Top View



1. Determine height between cooker hob and base of hood.
2. Mark wall to suit all bracket locations. Drill holes of 50mm depth at the selected drilling position.
3. Insert the expansion tubes to fix the bracket onto the wall.
4. Install the flow exit to the hood and follow by connecting the flexible exhaust duct to the flow exit.
5. Strengthened the connection between the flow exit and the flexible exhaust duct with screws.
6. Lift and hang the hood to the wall bracket and please ensure it sits firmly on the bracket.
7. Direct the other end of the flexible exhaust duct to the outlet or wall.
8. Fit in the safety baffle of the hood onto the wall to strengthen the position and to reduce vibration when the hood is switched on.
9. Chimney extension can be installed to the ceiling or wall.
10. Ensure the oil collection container is in place before the hood is being used. To remove it for cleaning, slide the oil collection container from front to rear, vice versa for inserting it into position.

Safety Precaution

- o Ensure there is proper ventilation in the cooking area.
- o Do not perform Flambé under the hood.
- o Avoid using materials which could cause spurts of flame near the hood.
- o Do not modify the hood. Dismantle and repair can only be done by certified electrician or our authorised contractor.

Safety Instructions

1. Ensure there is proper ventilation in the cooking area.
2. Instructions concerning the discharge of air have to be followed.
3. Do not flambe under the range hood.
4. Avoid using materials which could cause spurts of flame near the range hood.
5. Never touch the lamp when it is on.
6. Do not dismantle, repair or modify the range hood on your own.

Operating Instructions

Confirm that when the hood is installed, plug in the power plug, and the hood sends out a "drip" sound, indicating that the power is connected.

Please use the following methods for the first time. If there is any discrepancy, please contact the local distributor or service department as soon as possible.



HT9825

The five buttons on the switch control panel correspond to five functions: lighting, super suction, wake-up, strong / weak gear, delay / stop.

Which part of the work is needed, press the "wake-up key" first, and then press the corresponding function key as needed.



HT9826

To start the cigarette maker, press the wake button first and then touch the ring with clockwise touch. The wind is changed from small to large, when the whole ring is red when it starts to suck, it keeps running for 3 minutes, and then automatically switches to strong gear, and the ring of the ring turns off a section, if it is to be reopened again to the whole circle.

Clock setting: Long press "Delay/Stop Button" for 3 seconds to enter the clock setting state, the clock hour bit will start to flash, press the "super suction key" or "strong/ weak key" to adjust the hour position, After the hour is set, press the "delay/stop button" and the minute digit will start flashing, switch to the minute digit setting, and then press "Time Delay/Stop Button" to save the clock setting.

Tobacco stove linkage: this function only applies to DE&E linkage hob. In the boot state, press the "super suction key" for 3 seconds to enter the smoke stove linkage mode, The display screen of the smoke oven linkage is bright, and the range hood enters the code waiting state.

At the same time, press and turn the hob two knobs, and the hood display screen scintillation displays the linkage code. At this time, a "super suction key" is determined to match this linkage code. The display linkage icon is turned to long and bright, the display is turned to the clock display, and the smoke stove linkage is set up.

Lock screen: in the open state, long press "strong / weak key" 3 seconds to enter the mode of cleaning lock screen, display screen cleaning lock screen icons flicker, "strong / weak key" bright, the other display is extinguished.

The machine has the function of delayed shutdown. When the fan is in the working state, a time delay / stop button is pressed. The oil sucker will close the power automatically after 3 minutes. If it needs to be shut down immediately, it will be two times.

Cleaning and Maintenance

Cleaning:

1. press the lock screen key, the smoke guide board descends to the lowest position, the hands grab the front of the smoke guide plate, turn down, make the smoke guide board out of the hook, and turn a certain angle, take the smoke guide plate.
2. drag the net cover with your left hand, then use the cross screwdriver to unscrew the two screws on the net cover and lift the net cover upwards.
3. hold the two ends of the oil cup with your hands, keep the level, slowly move to the front of the cigarette machine, remove the oil cup and pour out the waste oil.

Protective cover:

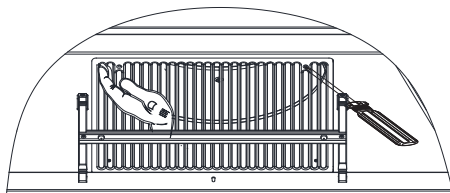
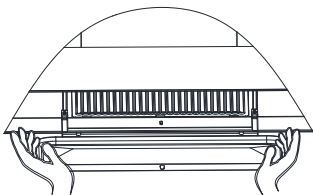
The protective cover is extruded from both sides to the middle, lifted up, and the protective cover is removed.

The cover plate of the chassis:

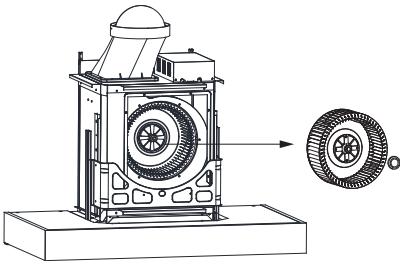
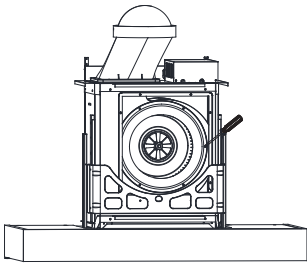
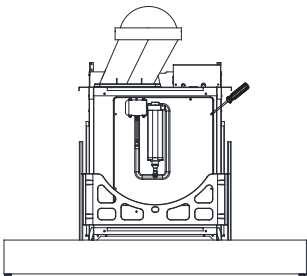
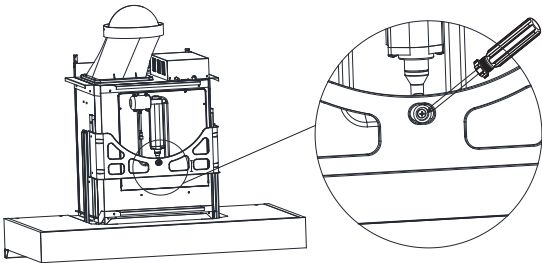
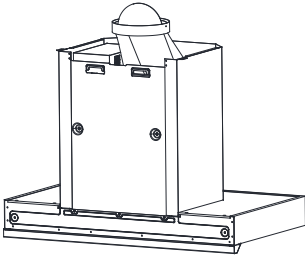
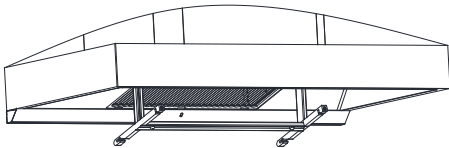
First disconnect the power supply, remove the protective cover assembly, oil cup, smoke guide board component, and then use the cross screwdriver to remove the screw of the push rod motor and the sliding support. After the two components are separated, the sliding support is slipped to the bottom. Finally, the six screws of the fixed chassis cover are screwed down with the ten word screwdriver and can be lifted up.

Fan:

1. After unloading the case cover, screw the air inlet plate with a screwdriver and remove the intake ring.
2. Unscrew the hood clockwise and remove the wind.



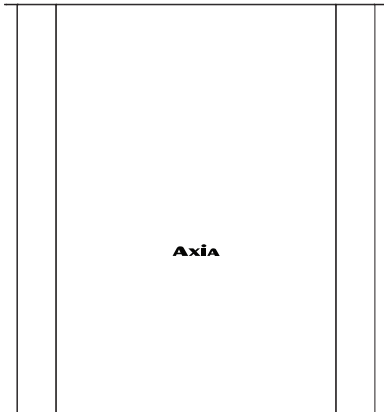
Detachable Parts



Troubleshooting

PROBLEM	POSSIBLE CAUSES	SOLUTION
Motor and light do not operate	Power plug is not inserted completely	Check the plug and insert it properly
	The light bulbs are blown	Change the bulbs
	The wire and / or cable is disconnected	Contact us for product servicing
	The light's transformer is damaged	Contact us for product servicing
Motor cannot operate but the lights are working	The impeller is stopped	Contact us for product servicing
	The capacitor is disconnected and / or damaged	Contact us for product servicing
	The motor is damaged	Contact us for product servicing
The range hood vibrates or shakes while in operation	The range hood is not installed levelly or the wall which it is installed upon is not solid	Install the range hood to a solid and steady wall
	The motor is not properly installed	Fasten the motor tightly to the body
	The damaged impeller is affecting the levelness of the range hood	Contact us for product servicing
Only one or two buttons can function while others are not working	The control panel is not functioning properly	Contact us for product servicing
	Connection with the control board is loose	Reconnect loose wires to the control board
Weak / Low Suction Power	The range hood is installed too high from the cooking hob	Lower the installation of the range hood
	There are blockages in the exhaust duct.	Remove the dirt / blockages inside the duct
	Air convection is too strong around the appliance	Do not open too many windows during cooking to improve the quality of the suction power
Oil Leakage	The range hood is not installed levelly	Install the range hood levelly

AXIA
UNIQUE KITCHEN



CL  **SSE**
SERIES



C-Elite 90