

# Range hood Instruction Manual

## **(10)Warranty Card**

We will warrant this product free from defects in material and quality for one year from date of purchase. If any problems occur from correct usage, please contact the service department for under warranty service.

This warranty does not cover the following:

The filter mesh and bulb.

Commercial use.

Amendment of the date of manufacture on the rating plate.

After 12 months from date of purchase.

Damaged caused to the body by usage of detergent sprayer.

Pollution made to the led parts, glass parts and S/S parts.

Incorrect installation, misuse, abuse or neglect.

Incorrectly fitted to insufficient or unsuitable power.

Damage caused by foreign object.

Taken apart or serviced by unauthorized service engineers or replaced with other manufacture's components.

For commercial use the maintenance and free service should be discussed with our authorized agent.

Beyond the 12 month warranty period, the purchaser should pay for charge of components and call out.

In the event of a service call, please provide the warranty card and receipt of date of purchase.

Place of purchase \_\_\_\_\_

Date of purchase \_\_\_\_\_

Model \_\_\_\_\_

Shop stamp. \_\_\_\_\_

## CONTENT

Notice .....	(1)
Feature .....	(2)
Installation .....	(3)
Air education setting .....	(4)
Notice of installation .....	(5)
Safety Warning .....	(6)
USE .....	(7)
Maintenance .....	(8)
Abnormity and Solution .....	(9)
Warranty card .....	(10)

### (9) Abnormity and Solution

Fault	Cause	Solution
Light on, but motor does not work	The leaf blocked	Get rid of the blocking
	The capacitor damaged	Replace capacitor
	The motor jammed bearing damaged	Replace motor
	The internal with of motor off or a bad smell from the motor	Replace motor
Light does not work, motor does not work	Beside the above mentioned, check the following:	
	Light damaged	Replace lights
	Power cord looses	Connect the wires as per the electric diagram
Oil leakage	One way valve and the air ventilation entrance are not tightly sealed	Take down the one way valve and seal with glue
	Leakage from the connection of U-shaped section and cover	Take U-shaped section down and seal with soap or paint
Shake of the body	The leaf damaged and causes shaking	Replace the leaf
	The motor is not tightly hanged	Lock the motor tightly
	The body is not tightly hanged	Fixed the body tightly
Insufficient suction	The distance between the body and the gas top too long	Readjust the distance
	Too much ventilation from open doors or windows	Choose a new place and resemble the machine
The machine inclines	The fixing screw not tight enough	Tighten the hanging screw and make it horizontal
	The hanging screw not tight enough	Tighten the hanging screw and make it horizontal

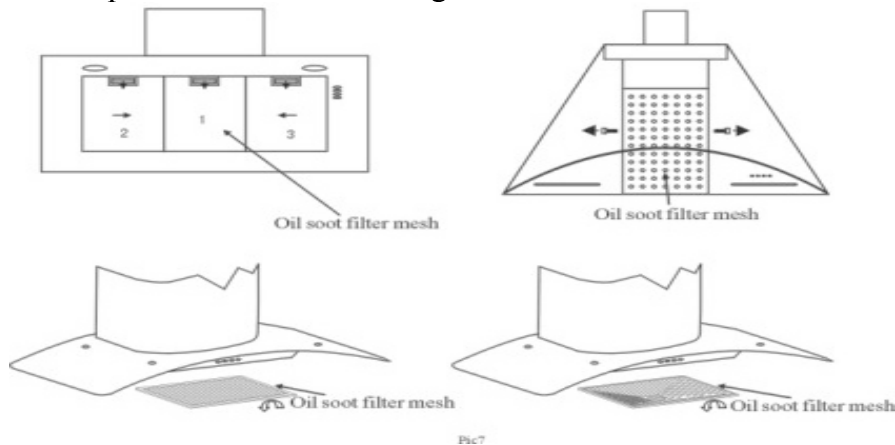
## (8) MAINTENANCE

### 7.1 The cleaning of the carbon grease filter mesh

The filter mesh is made of high-density stainless steel. Please do not use the corrosive detergent on it. Keeping this filter clean will keep the appliance running correctly. Please strictly follow the guidelines below.

Method 1: Put the mesh into 40-50 c clean water, pour on detergent, and soak for 2-3 mins. Wear gloves and clean with a soft brush. Please do not apply too much pressure, as the mesh is delicate and will damage easy.

Method 2: If instructed to do so, it can be put into a dishwasher, set the temperature at around 60 degrees.



### 7.2 Notice of cleaning cooker hood

- A. To protect the main body from corrosion over a long period of time, the cooker hood should be cleaned with hot water plus non corrosive detergent every two months.
- B. Please do not use abrasive detergent for it will damage the body.
- C. Keep the motor and other spare parts free from water, as this will cause damage to the appliance.
- D. Before cleaning the appliance please remember to cut off power
- E. The carbon filter shouldn't be exposed to heat.
- F. Please don't tear open the fixed bar around the carbon filter
- G. If the plug or cord is damaged, please replace it with special soft cord.

1. Provide user manual;

Clean the cooker hood according to the instruction manual and keep the unit from danger of burning. There is a fire risk if cleaning is not carried out in accordance with the instructions.

If the supply cord is damaged, it must be replaced by the manufacture its service agent or similarly qualified persons in order to avoid a hazard.

The air must not be discharged into a flue that is used for exhausting fumes from appliances burning gas or other fuels

This appliance can be used by children aged from 8 years above and persons with reduced physical, sensory or mental capabilities or lack of experience and knowledge if they have been given supervision or instruction concerning use of the appliance in a safe way and understand the hazards involved

Children should be supervised to ensure that they do not play with the appliance.

Cleaning and user maintenance shall not be made by children without supervision

Do not flame under the range hood.

CAUTION: Accessible parts may become hot when used with cooking appliance  
The warning shall be in the same part of the instructions that include details of how to mount the equipment.

The instructions shall include details on how to clean surfaces in contact with food.

**(1) NOTICE**

1. Thank you for choosing our cooker hood. Please read the instruction manual carefully before use.
2. The installation work must be undertaken by a qualified and competent fitter.
3. The manufacturer disclaims all liability for any damage or injury caused as a result of not following instructions for installation contained in the following text.

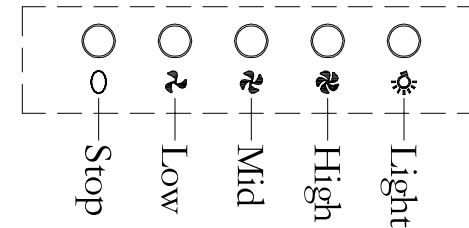
The cooker hood is used on 220/240v, 50Hz.

Option (110-120V/60Hz ; 220V/50Hz)

**(2)FEATURE**

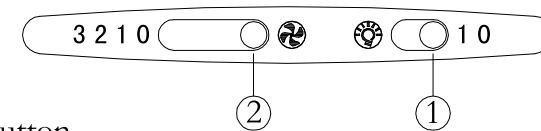
1. The cooker hood uses high quality materials, and is made with a streamlined design.
2. Equipped with a large power low noise electric motor and centrifugal leaf, it produces strong suction, low noise, non stick grease filter and easy to clean.
3. With the isolated low voltage circuit board control, 12vDC input, the lights are therefore safer.
4. Special wind tunnel construction and oil collector design, free dirt will be absorbed in a second.

**Push Switch:**



1. Push stop button, and the motor will stop.
2. Push the low button, and the motor runs at low speed.
3. Push the mid button, and the motor runs mid speed.
4. Push the high button, and the motor runs high speed.
5. Push the light button, and the two lights will come on. Push it again and the light will turn off.

**Push Slide Switch:**

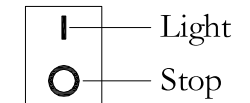
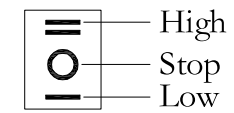


1. "Lighting" button  
Used to connect or cut off the lighting lamp.
2. "Three-range fan speed" sliding button  
Used to set the low-range, medium-range and high-range rotation speed and ventilation of the fan  
The instruction is only suitable for slim hood.

**Push Switch:**

1. motor switch

2. lamp switch



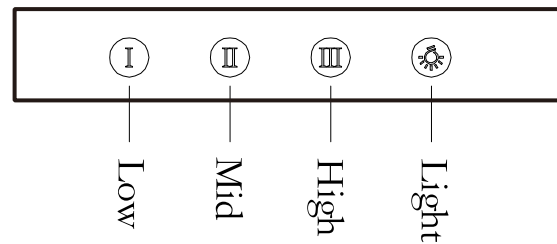
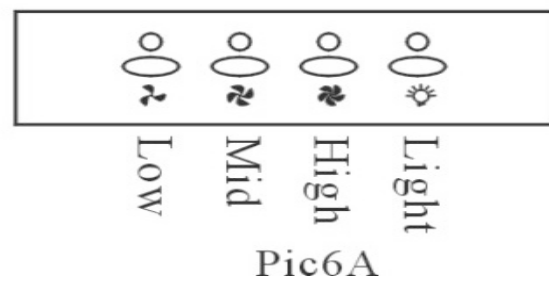
1. motor switch  
is a high grade and a low grade, the middle is stop grade.
2. lamp switch  
control the lamp on or off.

**(7) USE (Speed adjustment .See pictures)**

**Electronic Button**

1. Turn on the power; the buzzer will buzz five times. The sound shows that the appliance is powered.
2. Push the low button, the indicating light 1 on, the buzzer will buzz once, and the motor runs at low speed. Push it again and the motor will stop.
3. Push the middle button, the indicating light 2 on, the buzzer will buzz once, and the motor runs at mid speed. Push it again and the motor will stop
4. Push the high button, the indicating light 3 on, the buzzer will buzz once, and motor runs on high speed. Push it again and the motor will stop
5. Push the light button; the indicating light 4 on, and the two lighting lamps will come on. Push it again and the lamps will turn off, with every push the buzzer will buzz one time.

**Indicatorlight ① ② ③ ④**



**(3). Installation**

**Product one:**

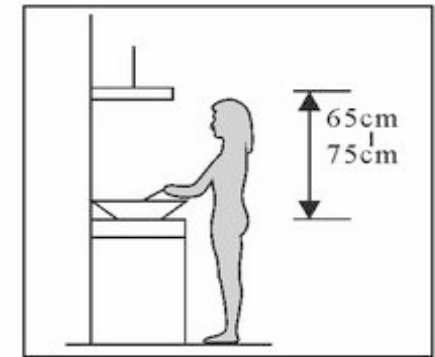
3.1 The cooker hood should be placed at a distance of 65-75cm(26-30inch)from the cooking surface for the best effect.See the Pic 1.

3.2 Install the hook on a suitable place once the installation height is fixed,and keep it in line.The fixed position of the inside chimney bracket is the place of chimney.

3.3 Fix the outside chimney bracket on the outside chimney,and be sure that the inside chimney can be adjusted the height in in freely as well as fixing the extensible pipe.Afterwards,install the extensible pipe and chimney on the cooker hood.See Pic 3.

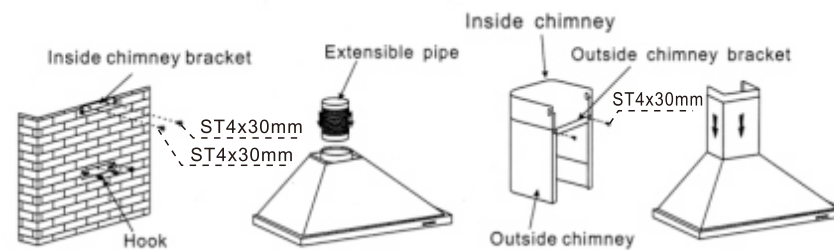
3.4 Put the cooker hood on the hook.See Pic 4.

3.5 Adjust the height of the inside chimney to the position of the inside chimney bracket and fix on it by screw,after adjusting the position,fix the body with safety screw,See Pic 5.



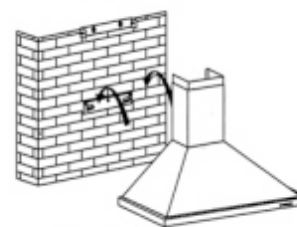
Pic1

Note:The two safety vents are positioned on the back casing,with diameter of 6mm.

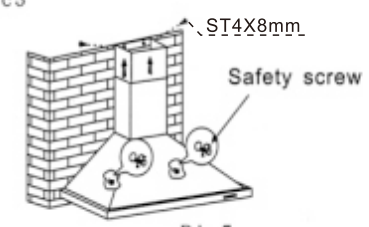


Pic2

Pic3



Pic4



Pic5

## Product two:

3.1 The cooker hood should be placed at a distance of 65-75cm(26-30inch)from the cooking surface for the best effect.See the Pic 1.

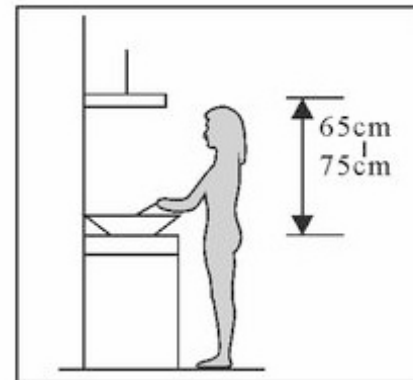
3.2 Install the hook on a suitable place once the installation height is fixed,and keep it in line.The fixed position of the inside chimney bracket is the place of chimney.

3.3 Fix the extensible pipe according to the lead direction and way,and then put the cooker hood on the hook.See Pic 3.

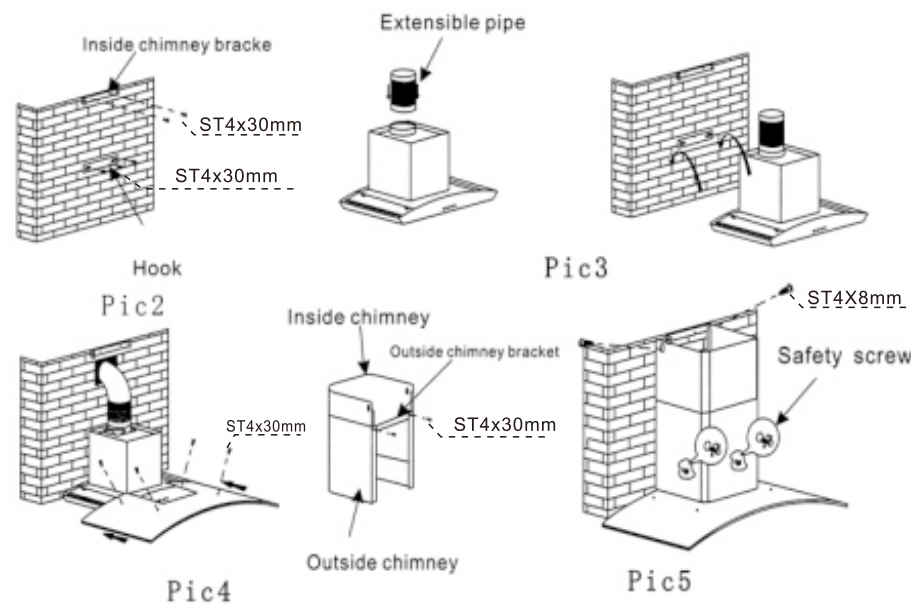
3.4 Put the glass according to the lead direction and way on the cooker hood,and then use the screws to fix the glass,also lead the extensible pipe outside of the room,meanwhile adjust the height of the inside chimney to the position of the inside chimney bracket and fix on it by screw,here should be sure the inside chimney can be flexed freely.See Pic 4.

3.5 Put the two chimneys together onto the cooker hood body,meanwhile adjust the height of the inside chimney into the suitable height,and fix the inside chimney to the inside chimney bracket by screw.Finally,fix the body with safety screw.See Pic 5.

Note:The two safety vents are positioned on the back casing,with diameter of 6mm.



Pic1



## (6) SAFETY WARNING

- Never let the children operate the machine.
- The cooker hood is for home use only, not suitable for barbecue, roast shop and other commercial purpose.
- The cooker hood and its filter should be clean regularly in order to keep in good working condition.
- Clean the cooker hood according to the instruction manual and keep the unit from danger of burning.
- Forbid the direct baking from the gas cooker.
- Please keep the kitchen room a good convection.
- Before connecting this appliance check that the power supply cord is not damaged. A damage supply cord must be replaced by qualified service personnel only.
- There shall be adequate ventilation of the room when the range hood is used at the same time as appliances burning gas or other fuels
- The air must not be discharged into a flue that is used for exhausting fumes from appliances burning gas or other fuels
- Regulations concerning the discharge of air have to be fulfilled.
- This appliance if not intended for use by persons(including children) with reduced physical, sensory or mental capabilities, or lack of experience and knowledge, unless they have been given supervision or instruction concerning use of the appliance by a person slide for their safety.
- Children should be supervised to ensure that they do not play with the appliance.
- Do not flambé under the range hood.
- The range hood is not intended to be installed over a hob having more than four hob elements
- This appliance is not intended for use by persons (including children) with reduced physical, sensory or mental capabilities, or lack of experience and knowledge, unless they have been given supervision or instruction concerning use of the appliance by a person responsible for their safety.
- Children should be supervised to ensure that they do not play with the appliance.
- The air must not be discharged into a flue that is used for exhausting fumes from appliances burning gas or other fuels.
- When the range hood and appliances supplied with energy other than electricity are simultaneously in operation, the negative pressure in the room must not exceed 4 Pa (4 x 10<sup>-5</sup> bar).
- CAUTION: Accessible parts may become hot when used with cooking appliances.

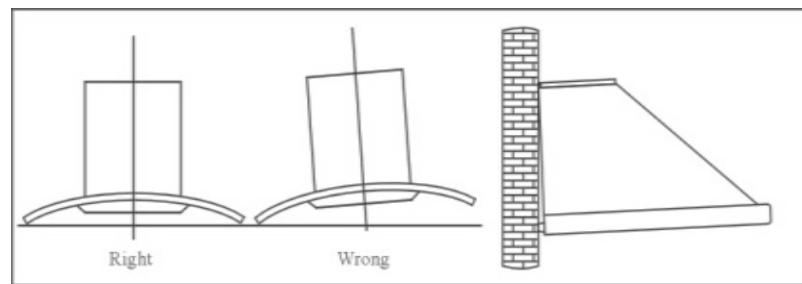
### Electrical Shock Hazard

- Only plug this unit into a properly earthed outlet. If in doubt seek advice from a suitably qualified engineer.
- Failure to follow these instructions can result in death, fire, or electrical shock.

---- Warning: Failure to install the screws or fixing device in accordance with these instructions may result in electrical hazards.

### (5) NOTICE OF INSTALLATION

1. Before installation, please ensure the area is clean to avoid suction of the remaining bits of broken wood and dust.
2. It cannot share the same air ventilation tube with other appliance such as gas tube, warmer tube, and hot wind tube.
3. The bending of ventilation tube should be  $\geq 120^\circ$ , parallel or above the start point and should be connected to the external wall.
4. After installation, make sure that the extractor is level to avoid grease collection at one end.

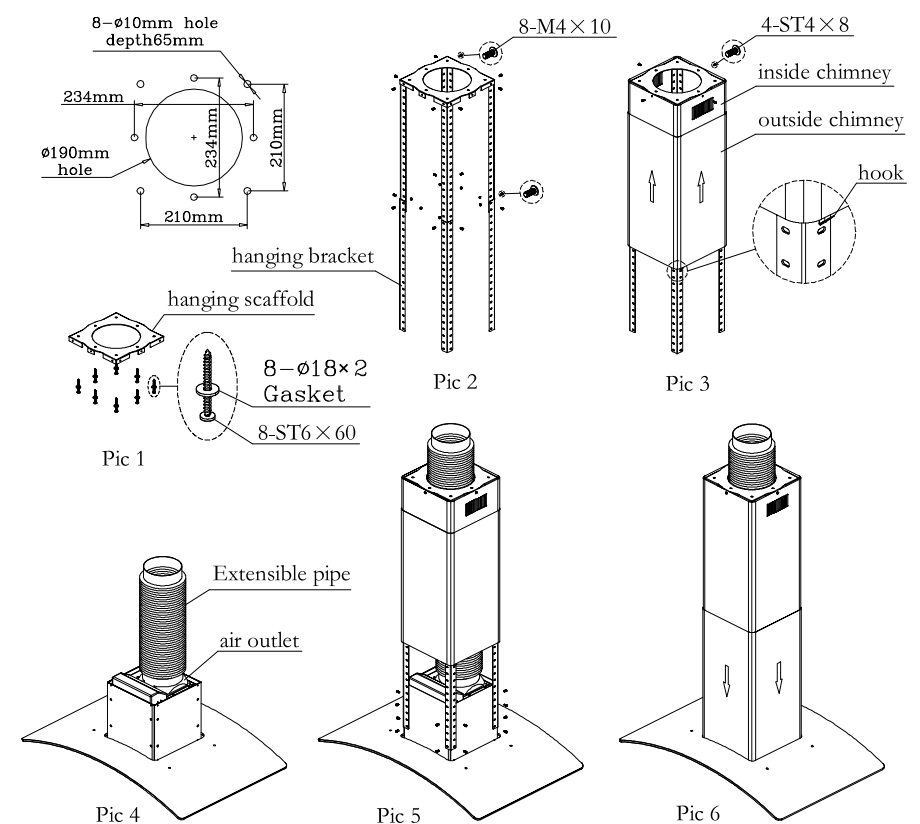


Pic5

### (3). Installation

Product three

1. Make sure of installation position, fix the hanging scaffold at proper position, and check firmness and smoothness of installation. See the Pic 1.
2. Adjust to proper height, joint the bracket, install on hanging scaffold. See the Pic 2
3. Fix inside chimney on hanging scaffold, enclose outside chimney on it at proper position, insert hook into bracket to fix outside chimney temporarily. See the Pic 3.
4. Fix air outlet in the vent on hood's body, connect extensible pipe with air outlet. See the Pic 4.
5. Extend the hose out off hanging scaffold, fix hood's body on bracket. See the Pic 5.
6. Detach the hook, move outside chimney downward till reaching hood's body. Pay attention not to strike the glass. See the Pic 6.

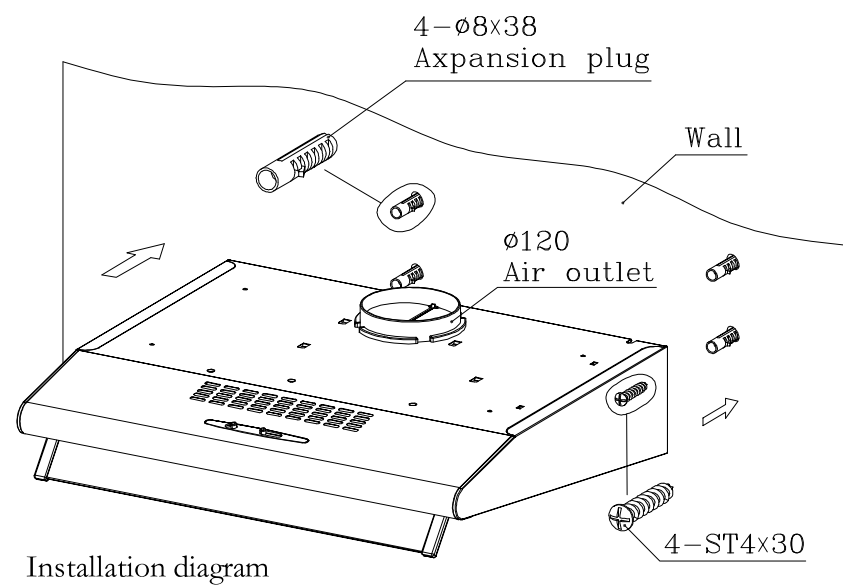
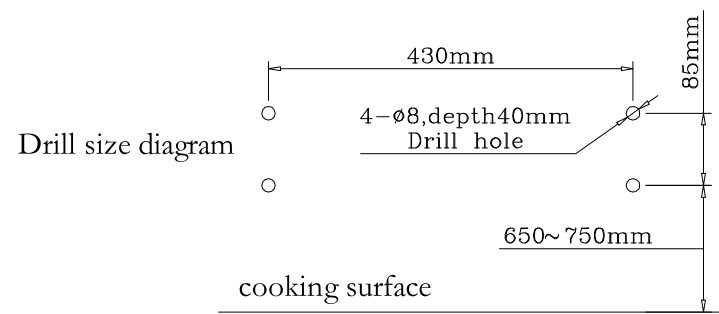


### (3). Installation

Product four

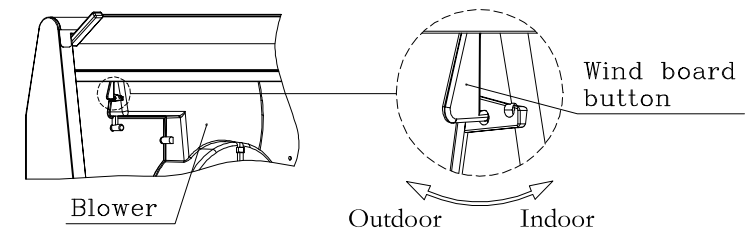
Installation Way one:

1. Place at a distance of 65-75cm from the cooking surface, drill 4 holes of  $\Phi 8$ mm and depth of 40mm.
2. Insert 4 swelling rubber plug into 4 holes.
3. Fix air outlet into the vent on top of the hood.
4. Open filters, keep the hood in line and tighten the screws.
5. Fix filters.

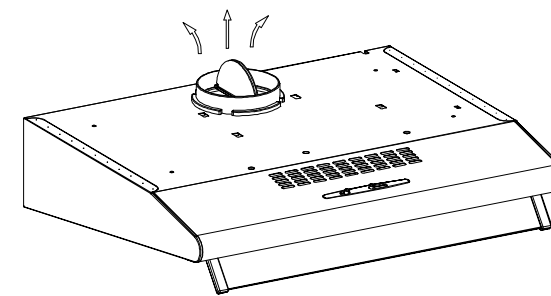
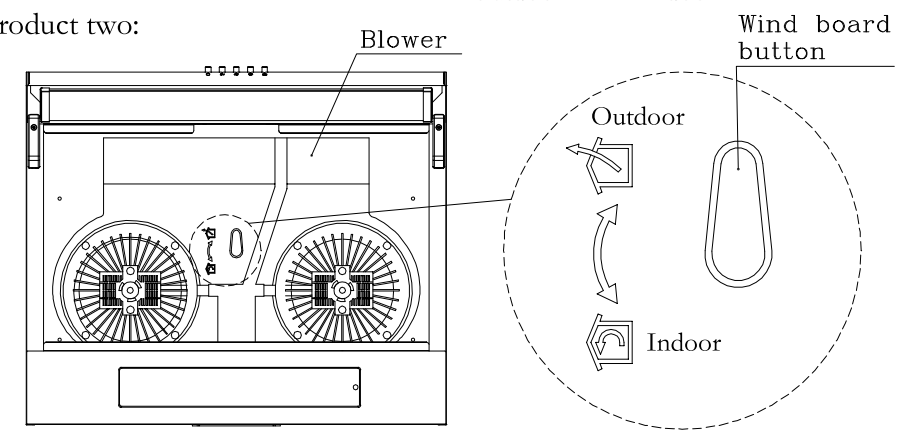


### (4) Air education setting

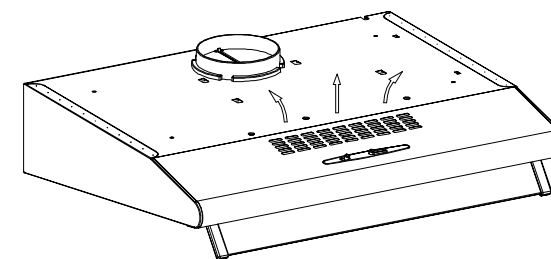
Product one:



Product two:



Setting one: Turn the adjuster to outdoor place, install the outlet, open the cooker hood, the smoke will be vented from the outside outlet.



Setting two: Turn the adjuster to indoor to indoor place, install the outlet cover, open the cooker hood, the smoker will be vented from inside vent.

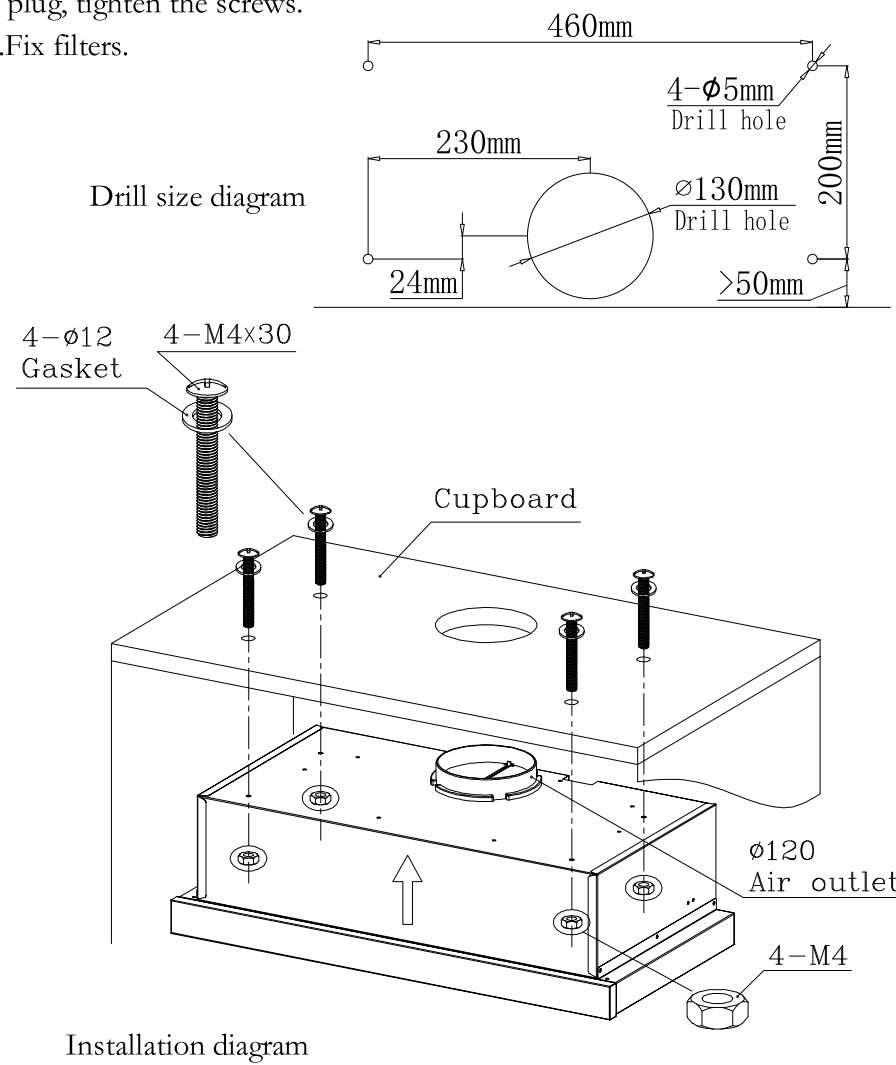


### (3). Installation

Product six

Installation:

1. Drill 4 holes of  $\Phi 5\text{mm}$  and  $\Phi 130\text{mm}$  at the bottom of the hanging cupboard.
2. Fix air outlet into the vent on top of the hood.
3. Open filters, keep the hood in line, insert screws and swelling rubber plug, tighten the screws.
4. Fix filters.

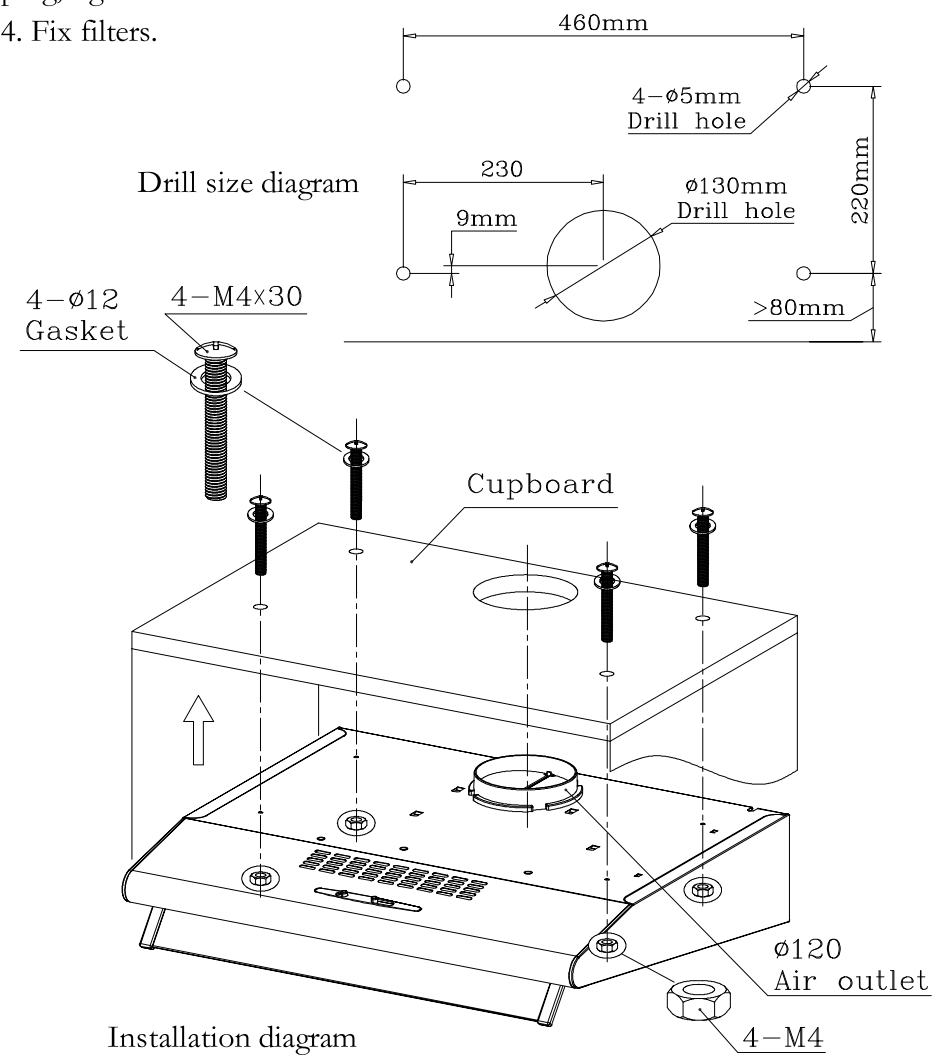


### (3). Installation

Product four

Installation Way two:

1. Drill 4 holes of  $\Phi 5\text{mm}$  and  $\Phi 130\text{mm}$  at the bottom of the hanging cupboard.
2. Fix air outlet into the vent on top of the hood.
3. Open filters, keep the hood in line, insert screws and swelling rubber plug, tighten the screws.
4. Fix filters.

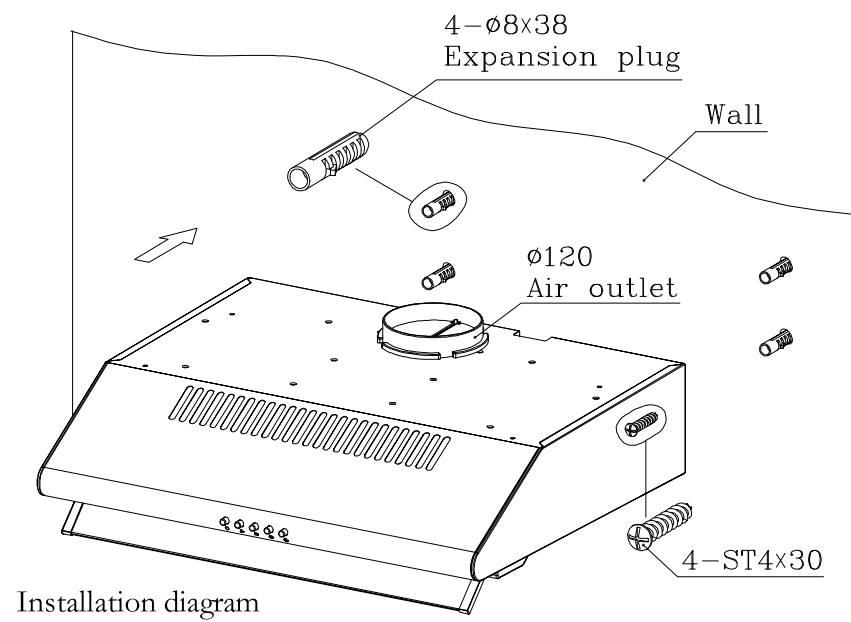
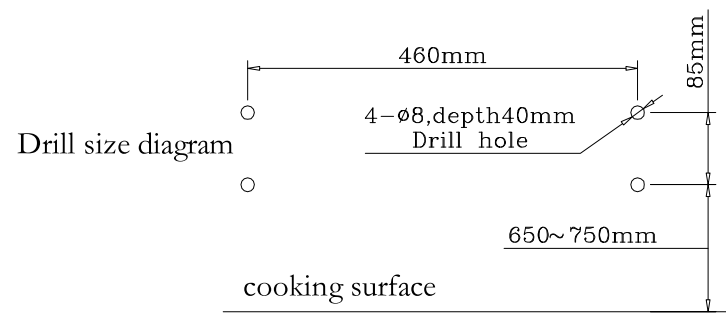


### (3). Installation

Product five

Installation Way one:

1. Place at a distance of 65-75cm from the cooking surface, drill 4 holes of  $\Phi 8$ mm and depth of 40mm.
2. Insert 4 swelling rubber plug into 4 holes.
3. Fix air outlet into the vent on top of the hood.
4. Open filters, keep the hood in line and tighten the screws.
5. Fix filters.



### (3). Installation

Product five

Installation Way two:

1. Drill 4 holes of  $\Phi 5$ mm and  $\Phi 130$ mm at the bottom of the hanging cupboard.
2. Fix air outlet into the vent on top of the hood.
3. Open filters, keep the hood in line, insert screws and swelling rubber plug, tighten the screws.
4. Fix filters.

