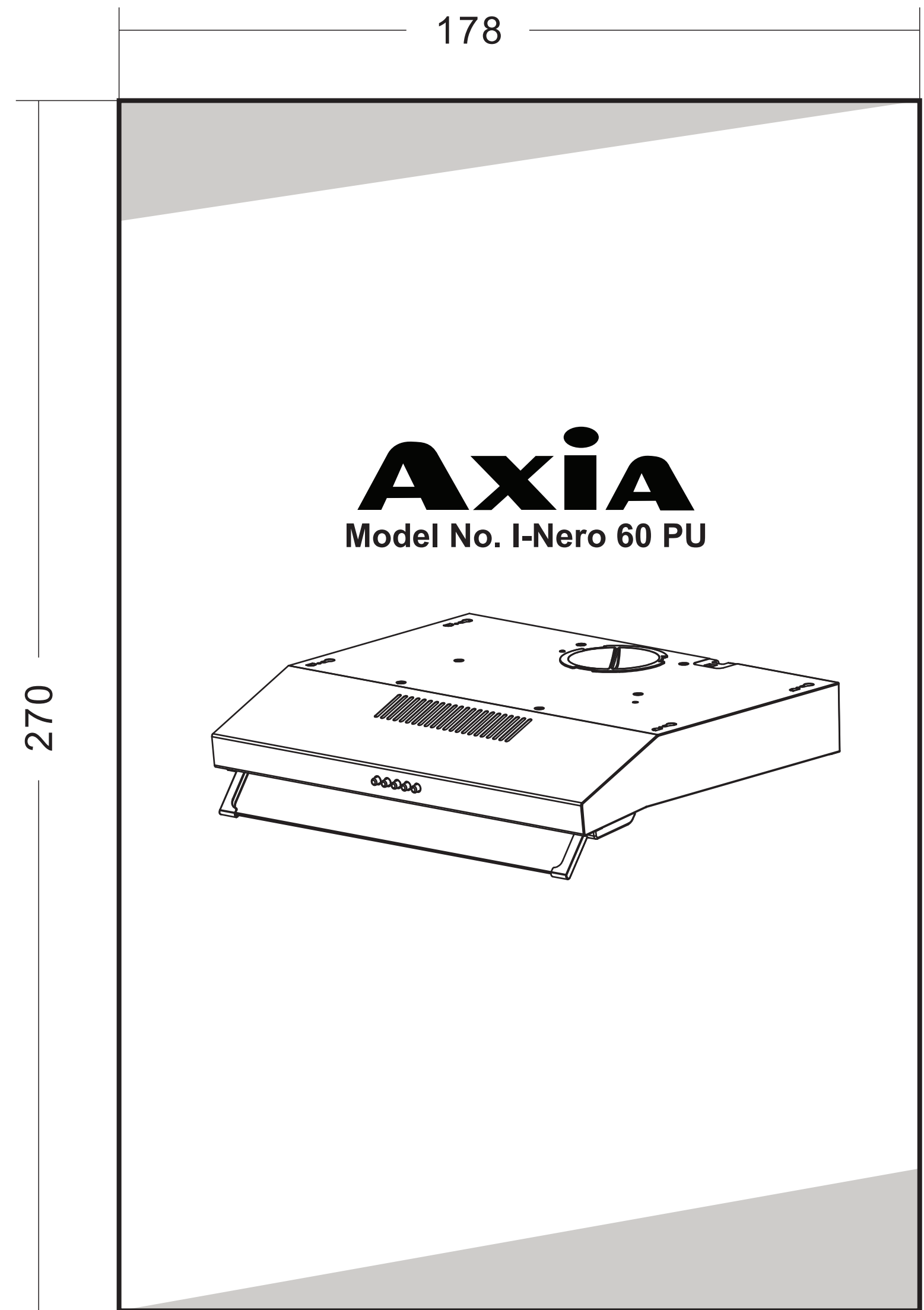


标记	更改内容	区域	更改文件编号	日期	登记	审核
①						

普通尺寸公差	公差等级	>0.5~6	>6~30	>30~120	>120~315	>315~1000	>1000~2000
	A级	±0.05	±0.1	±0.15	±0.2	±0.3	±0.5
	B级	±0.1	±0.2	±0.3	±0.5	±0.8	±1.2
	C级	±0.2	±0.5	±0.8	±1.2	±2.0	±3.0
	D级	±0.5	±1.0	±1.0	±1.5	±3.0	±4.0



全部  $\sqrt{6.3}$

**需提前打样确认**

技术要求：  
 1.字体要求印刷清晰，不能出现错印，漏印现象。  
 2.尺寸按规格要求。  
 3.印刷版面参照电子档。

项目	批准	校核	设计	重要零件	材质	157克铜版纸	订单编号	PI-0046-16-1
签字				服务零件	规格	178*270	料号	B53-TF21-1812-01-XX
日期				安规零件	表面处理		图号	A
iMagic Kitchen Appliances Co., Ltd.				比例			数量	重量
				第一角法			单位	mm
							1812说明书	1/1

## Contents

Important Safety Information.....	2
Warning and Safety Instructions.....	2
Installation Safety .....	2
Installation of Hood into the Kitchen Cabinet .....	2
Installation of Cooker Hood .....	3
Description of the Conventional Hood .....	4
Cleaning and Maintenance .....	5
Regular Cleaning .....	5
Monthly Cleaning.....	5
Annual Replacement of Carbon Filter.....	5
Maintenance of Appliance.....	5
Troubleshooting.....	6

## Important Safety Information

**IMPORTANT: Do not use the appliance until you have read this instruction manual.**

### Warning and Safety Instructions

- This appliance is not intended for use by persons (including children) with reduced physical, sensory or mental capabilities, or lack of experience and knowledge, unless they have been given supervision or instruction concerning the use of this appliance by a person responsible for their safety.
- This appliance is intended for domestic use only.
- Do not use harsh abrasive cleaners or sharp metal scrapers to clean the appliance.
- Accessible parts may become hot when used with cooking appliance. Avoid unnecessary contact.
- If the supply cord is damaged, it must be replaced by the manufacturer, its service agent or similarly qualified persons in order to avoid hazard.
- Ensure that the location, in which this appliance is installed, has good ventilation
- Ensure that the distance between the bench top to the lower part of the hood is between 65cm to 75cm.
- Ensure that the power supply cord is free from any heat source or sharp objects.

### Installation Safety

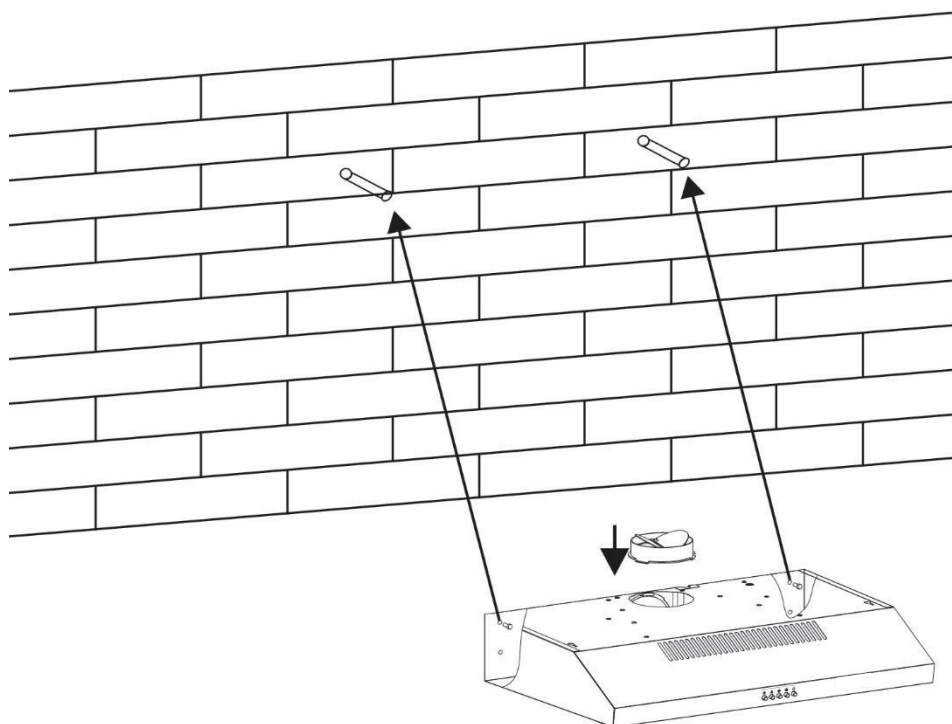
- This appliance must be installed by a qualified person.
- We decline any responsibility for injury or damage to any individual or property resulting from improper installation or use of this appliance.
- Consult a qualified installer if you have any doubts on the installation process.

### Installation of Hood into the Kitchen Cabinet

**Note:** The kitchen should be dry to prevent slipping and falls.

- Ensure that the cabinet which the oven will be fitted into, is of the size given in the diagram below.

## Installation of Cooker Hood

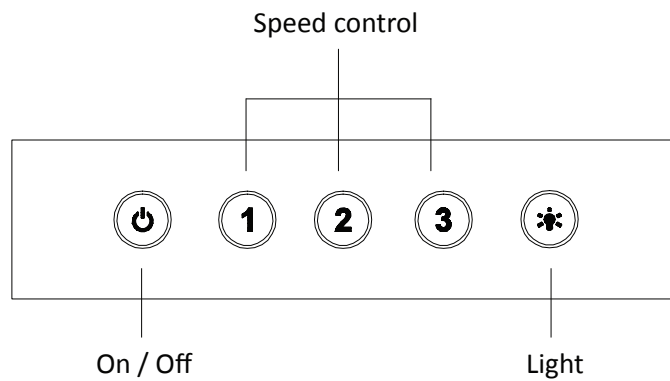
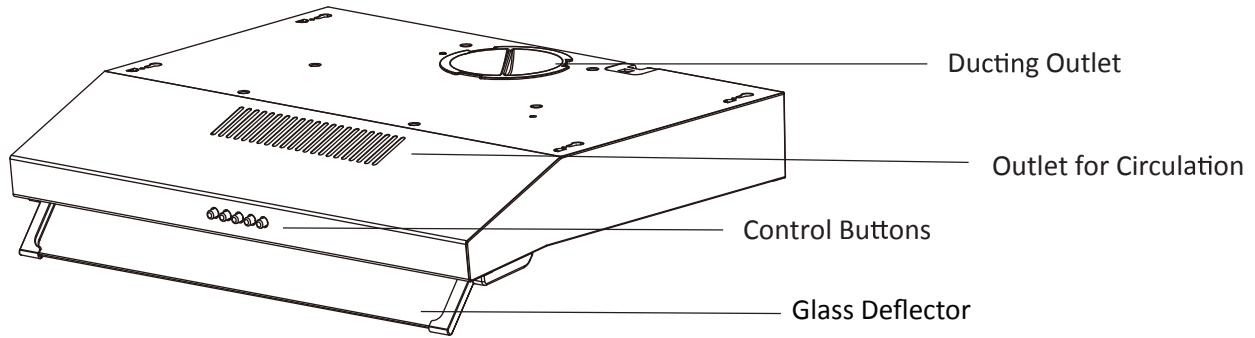


- 1) Locate the 2 holes at the back of the cooker hood.
- 2) Mark out the positions of the holes on the wall and ensure that it is level.
- 3) Drill two 8mm holes onto the markings you have made.
- 4) Secure the hood onto the wall using screws.

**Important:** Install the hood at least 65cm from the stove.

**Note:** There may be more than one method of installing the hood. If unsure, consult a qualified installer.

## Description of the Conventional Hood



**Note:** The hood comes with 2 charcoal filters and 2 aluminium filters.

- Light: Press once to turn the lights on or off.
- Speed control: Press the key 1,2,3 to change the level.
- On / Off: Press this to switch the hood on or off.

## Cleaning and Maintenance

### Regular Cleaning

The cooker hood should be cleaned with mild soapy water or household detergent, then rinsed with warm water using a damp cloth or sponge and wiped dry. Do not use abrasive materials or strong solution to clean the appliance.

### Monthly Cleaning

Soak the aluminium filter in warm and mild soapy water to dissolve the grease accumulated. Use a soft brush to scrub the dirt off if required.

### Annual Replacement of Carbon Filter

Replace the carbon filter at least once a year, depending on how frequent the cooker hood is used. Clogged filters restrict airflow and may cause the motor to overheat.

### Maintenance of Appliance

- The appliance and filters should be cleaned regularly in order to maintain in good working condition and good suction power.
- Replace the charcoal filter once every 6 months in order to keep appliance in good working condition.
- Remove main plug when cleaning to avoid electric shock.
- Soak filters in warm water to dissolve grease then wipe dry before putting it back.

### Caution!!



Do not use cleaning products containing abrasive materials for the cleaning and maintenance of the front glass panel.

## Troubleshooting

Fault	Possible Cause	Solution
Lights are on but the fans do not work.	The fan blade is stuck.	Switch the unit off and contact a qualified technician.
	The motor is damaged.	
Both lights and fans do not work.	The bulb has fused.	Replace the bulb with correct rating.
	Power cord is loose.	Plug in to the power supply again.
Vigorous vibration of the appliance.	The fan blade is damaged.	Switch the unit off and contact a qualified technician.
	The fan motor is not secured.	Switch the unit off and contact a qualified technician.
	The appliance is not hung properly on the bracket.	Take the unit down and check if the bracket is installed properly.
Poor airflow.	Aluminium grease filters are clogged.	Clean the filters and replace after drying.
	Charcoal grease filters are clogged.	Replace charcoal filters with new set.
Oil dripping onto stove.	Aluminium grease filters are clogged.	Clean the filters and replace after drying.
Strong cooking smell.	Charcoal filters not installed.	Install charcoal filters.
Whirring sound.	Foreign object in fan blade.	Switch the unit off and contact a qualified technician.